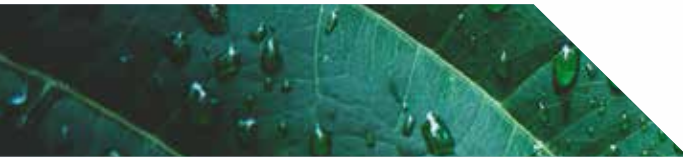




TOGETHER FOR YEARS



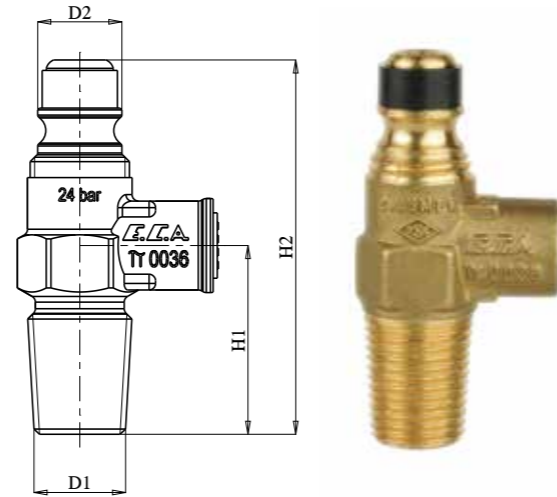
LPG Cylinder Valves

Quick-On Type With Safety (External Gasket)

Main Code: 703820037

Technical Specifications

Working Pressure: 24 bar	D1	D2
	* W19,8x1/14" (17E)	* ø 16 (G50)
Temperature Range: -20~65°C	M26,2x2	ø 19 (G51)
	M24x2	H1
	M25x2	36,1
	W28,8x1/14" (25E)	H2
	3/4"-14NGT	71,6
	KG19,3x1/14"	73

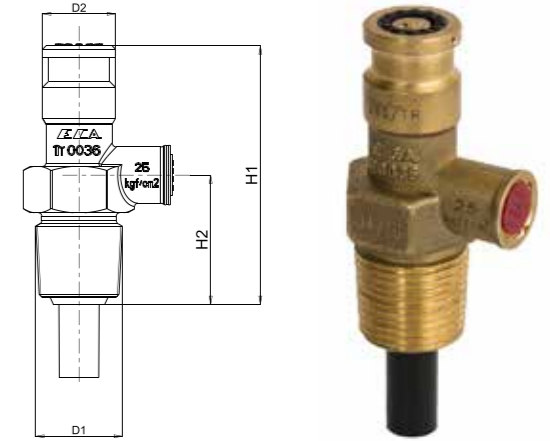


Quick-On Type With Safety (Internal Gasket, Dust Protected)

Main Code: 703820265

Technical Specifications

Working Pressure: 24 bar	D1	D2
	W19,8x1/14" (17E)	ø 20 (G52)
Temperature Range: -20~65°C	* M26,2x2	ø 21 (G53)
	M24x2	ø 22 (G54)
	M25x2	H1
	W28,8x1/14" (25E)	36,1
	3/4"-14NGT	H2
	KG19,3x1/14"	71,6

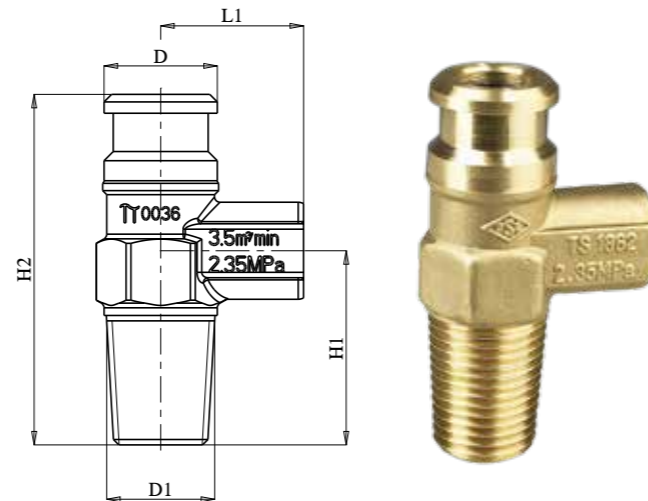


Quick-On Type With Safety (Internal Gasket)

Main Code: 703820087

Technical Specifications

Working Pressure: 24 bar	D1	d
	* W19,8x1/14" (17E)	* ø 21 (G53)
Temperature Range: -20~65°C	M26,2x2	ø 20 (G52)
	M24x2	ø 22 (G54)
	M25x2	H1
	W28,8x1/14" (25E)	* 36
	3/4"-14NGT	40
	KG19,3x1/14"	H2
	18 T	* 65
	W 28,8	L1
	26,5	

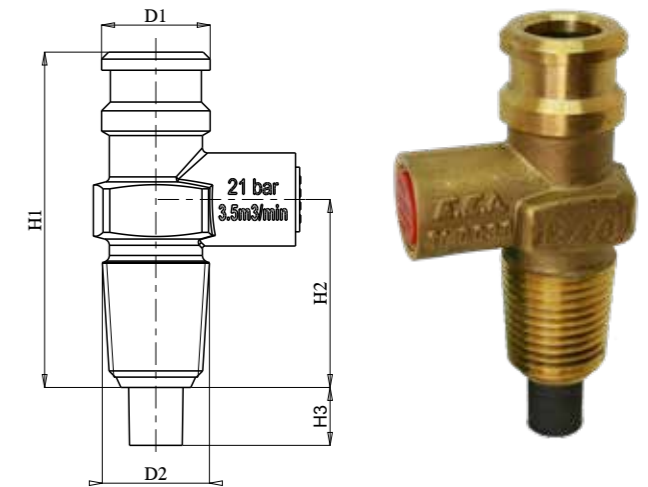


Quick-On Type With Safety (Internal Gasket)

Main Code: 703820378

Technical Specifications

Working Pressure: 21 bar	D1	H1
	ø 21	64,8
Temperature Range: -20~65°C	D2	H2
	18T	36,3
	W28,8x1/14" (25E)	H3
		11

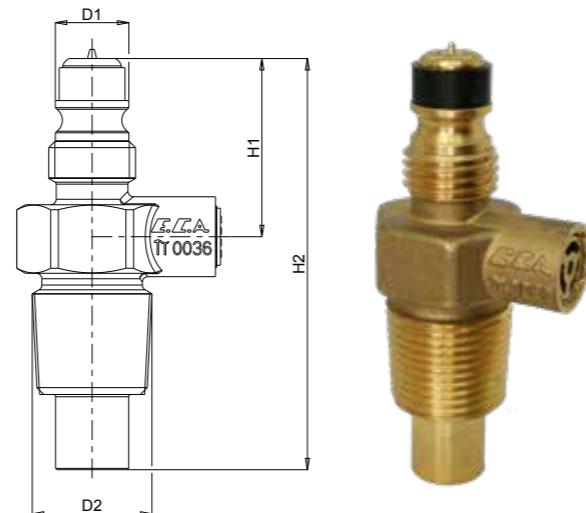


Quick-On Type With Safety (External Gasket, Dust Protected)

Main Code: 703820259

Technical Specifications

Working Pressure: 26 bar	D1	H1
	ø 16 (G50)	39
Temperature Range: -20~65°C	D2	H2
	M26,2x2	90

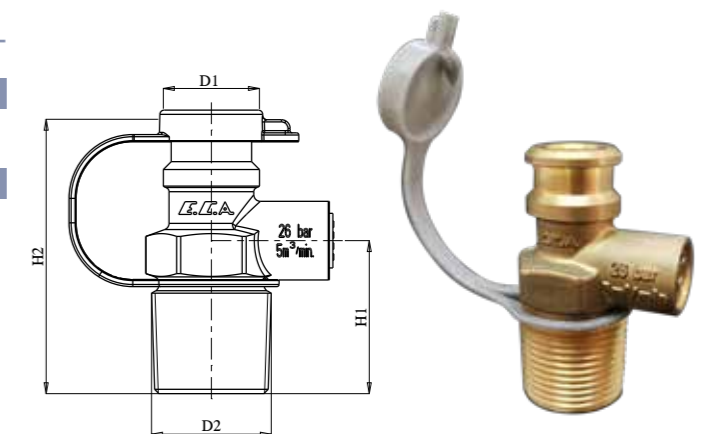


Quick-On Type With Safety (Internal Gasket)

Main Code: 703820392

Technical Specifications

Working Pressure: 25 bar	D1	H1
	22 (G54)	35
Temperature Range: -20~65°C	D2	H2
	20 (G52)	62,8
	3/4"-14 NGT	

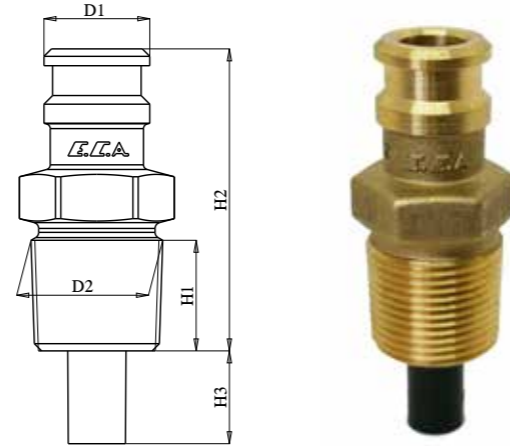


Quick-On Type Without Safety (Internal Gasket)

Main Code: 703820442

Technical Specifications

Working Pressure: 24 bar	D1	H1
	ø 22	23
Temperature Range: -20~65°C	ø 20	H2
	D2	62,8
	3/4"-14 NGT	H3
		19,3

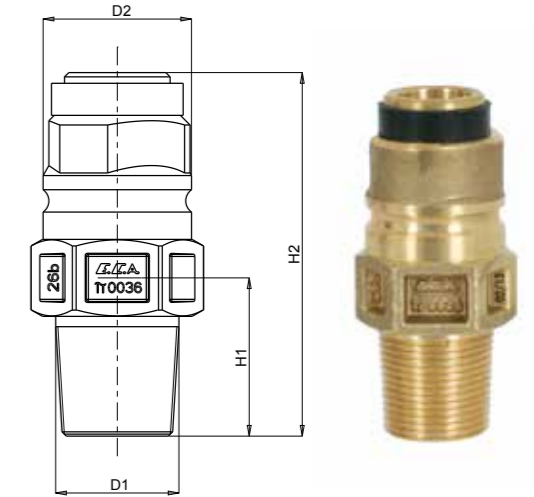


Jumbo Type With Safety (Optimized Series)

Main Code: 703820439

Technical Specifications

Working Pressure: 26 bar	D1	H1
	* W28,8x1/14" (25E)	37,5
Temperature Range: -20~65°C	D2	38
	ø 35 (G56)	* 37
		H2
		* 85
		86
		H3
		22,2

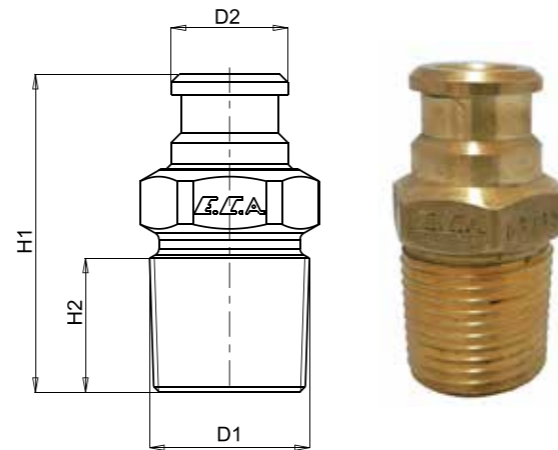


Quick-On Type Without Safety (Internal Gasket)

Main Code: 703820271

Technical Specifications

Working Pressure: 24 bar	D1	H1
	* M26,2x2	* 52,5
Temperature Range: -20~65°C	3/4"-14 NGT	54,5
	W19,8 x 1/14" (17E)	65
	M 23,2x2	H2
	D2	* 21
	* ø 22 (G54)	23
	ø 20 (G52)	36
	ø 24,5 (G55)	

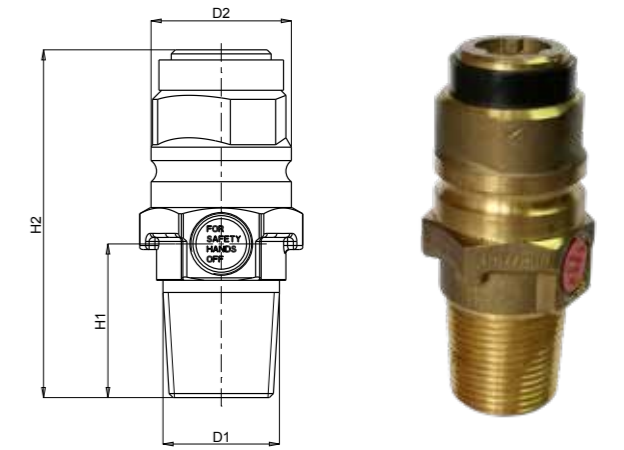


Jumbo Type With Safety

Main Code: 703820313

Technical Specifications

Working Pressure: 26 bar	D1	H1
	W28,8x1/14" (25E)	38
Temperature Range: -40~60°C (Certified)	D2	H2
	ø 35 (G56)	86

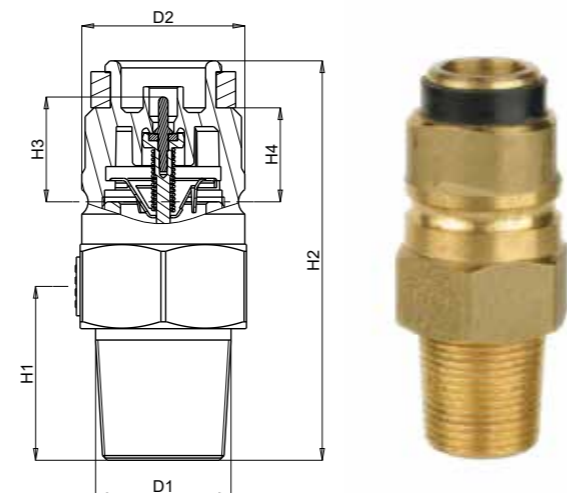


Jumbo Type with Safety

Main Code: 703820410

Technical Specifications

Working Pressure: 26 bar	D1	H2
	* W28,8x1/14" (25E)	85
Temperature Range: -20~65°C	D2	* 85
	ø 35 (G56)	H3
Metal spring retainer	H1	22.2 ^{+0.2}
	Plastic spring retainer	H4
	* 37	20 ^{+0.2}

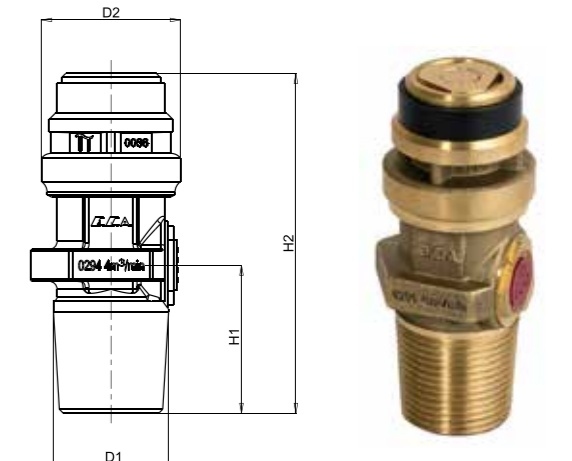


Jumbo Type With Safety (Dust Protected)

Main Code: 703820294

Technical Specifications

Working Pressure: 26 bar	D1	H1
	W28,8x1/14" (25E)	37
Temperature Range: -20~65°C	D2	H2
	ø 35 (G56)	85



Jumbo Type With Safety

Main Code: 703820239

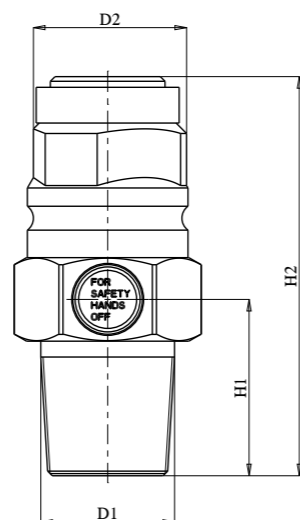
Technical Specifications

Working Pressure:
26 bar

Temperature Range:
-20~65°C



D1	D2
* W28,8x1/14" (25E)	ø 35 (G56)
	H1
	37,5
	* 37
	H2
	85
	* 85



Hand Wheel Type With Safety (Orbital Pin Design, Outlet with Frontal Gasket)

Main Code: 703820329

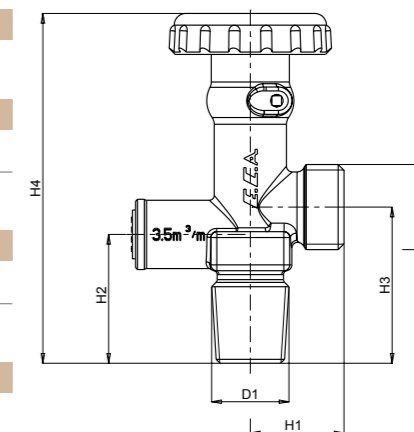
Technical Specifications

Working Pressure:
24-26 bar

Temperature Range:
-20~65°C



D1	H1
W19,8-x1/14"-3/25 (17E)	24
D2	H2
W21,8x1/14"LH (G4, G19, G12)	33,5
	33
H3	41,5
	40
H4	89,6



Hand Wheel Type With Safety (Orbital Pin Design)

Main Code: 703820422

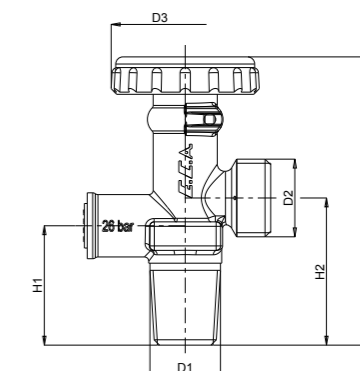
Technical Specifications

Working Pressure:
24-26 bar

Temperature Range:
-20~65°C



D1	H1
W19,8x1/14" (17E)	33,5
D2	H2
W21,8x1/14" (G12)	41,5
D3	H3
ø 42	81



Hand Wheel Type With Safety (Double Pin Design)

Main Code: 703820184

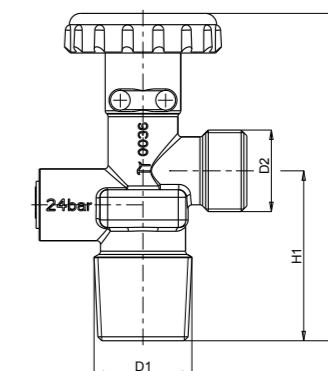
Technical Specifications

Working Pressure:
24 bar - 26 bar

Temperature Range:
-20~65°C



D1	D2	
* M26,2x2	* W21,8x1/14" (G4,G12)	
M24x2	W20x1/14" (G1)	
W19,8x1/14" (17E)	0,885"-14NGO (G9)	
W28,8x1/14" (25E)	W21,7x1/14" (G2)	
3/4"-14NGT	W21,8x1/14" Sol	
KG19,3x1/14"		
H1	H2	H3
36	* 45	86,8
39	41,3	* 87,2
36,5	48,5	88
	46	96
		93

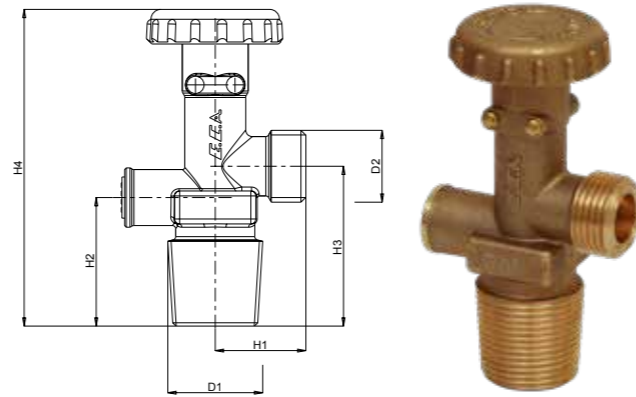


Hand Wheel Type With Safety (Double Pin Design)

Main Code: 703820336

Technical Specifications

Working Pressure: 26 bar	D1	H1
	W28,8x1/14" (25E)	27,5
Temperature Range: -20~65°C	D2	H2
	W21,8x1/14" sol (G4, G19)	39
		H3
		48,5
		H4
		96,1

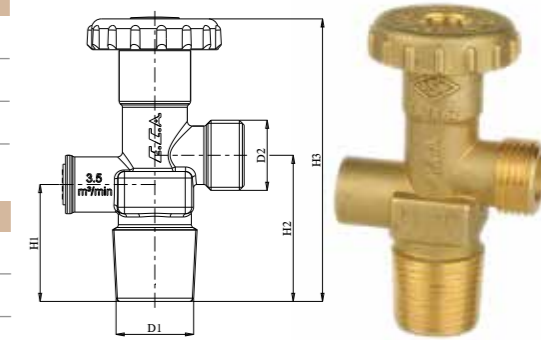


Hand Wheel Type With Safety

Main Code: 703820001

Technical Specifications

Working Pressure: 35 bar	D1	D2	H2
	* M26,2x2 M24x2	* W21,8x1/14" (G4,G12)	41,3 42,5
Temperature Range: -20~65°C	W19,8x1/14" (17E)	W20x1/14" (G1)	* 45
	W28,8x1/14" (25E)	0,885"-14NGO (G9)	61
	3/4"-14NGT	W21,7x1/14" (G2)	H3
	KG19,3x1/14"	W22x1/22"	85,5
		H1	* 87
			80
			111

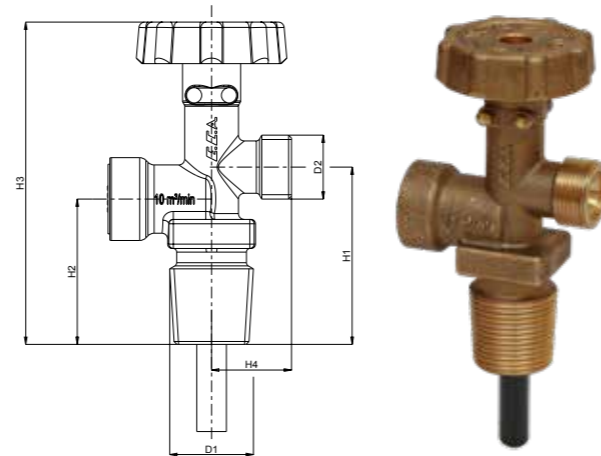


Hand Wheel Type With Safety (Double Pin Design)

Main Code: 703820331

Technical Specifications

Working Pressure: 25 bar	D1	H1
	W28,8x1/14" (25E)	61
Temperature Range: -20~65°C	D2	H2
	W22x1/22" (G6)	50
		H3
		111
		H4
		27,5

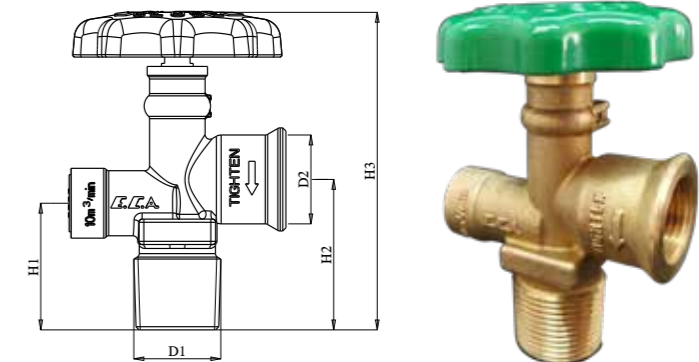
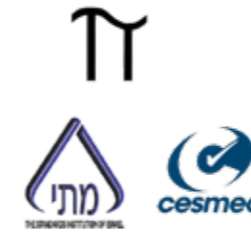


Pol Type with Safety (Aluminium Handwhell, Orbital Pin design)

Main Code: 703820356

Technical Specifications

Working Pressure: 26 bar, 2.55MPa	D1	H2
	3/4"-14NGT W28,8x1/14"(25E)	47,5 50,5
Temperature Range: -20~65°C	D2	51
	0,885"-14NGO(G9)	H3
	H1	100
	40	103
	43	H4
		35,5
		H5
		34

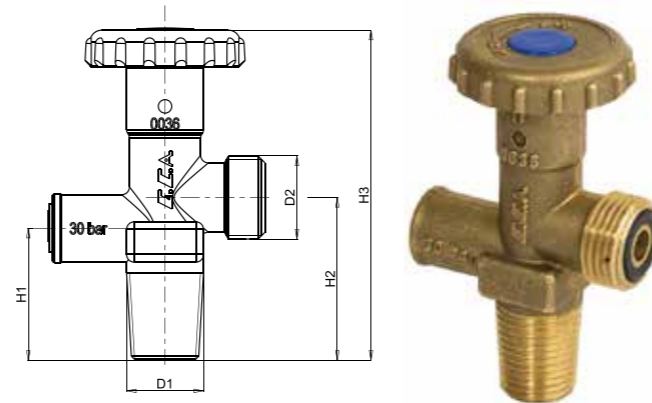


Hand Wheel Type With Safety (Outlet With Frontal Gasket)

Main Code: 703820251

Technical Specifications

Working Pressure: 30 bar	D1	D2
	W 19,8x1/14" (17E)	W21,8x1/14" (G4, G12)
Temperature Range: -20~65°C	H1	H2
	34,3	42,3
		H3
		87,2

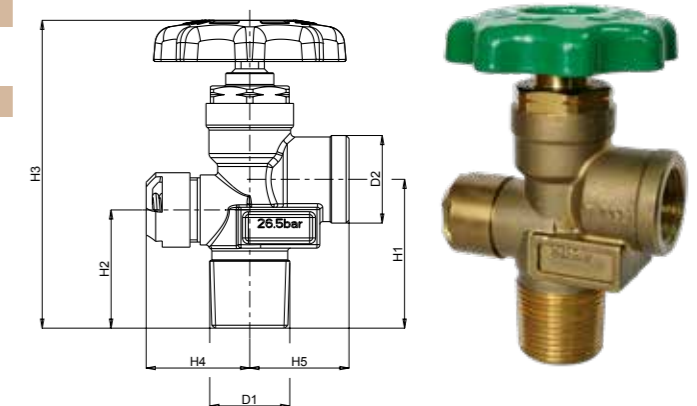


Aluminium Hand Wheel Type With Safety

Main Code: 703820341

Technical Specifications

Working Pressure: 26 bar	D1	H2
	3/4"-14NGT	47,4
Temperature Range: -20~65°C	D2	H3
	0,885"-14NGO(G9)	100
	H1	40

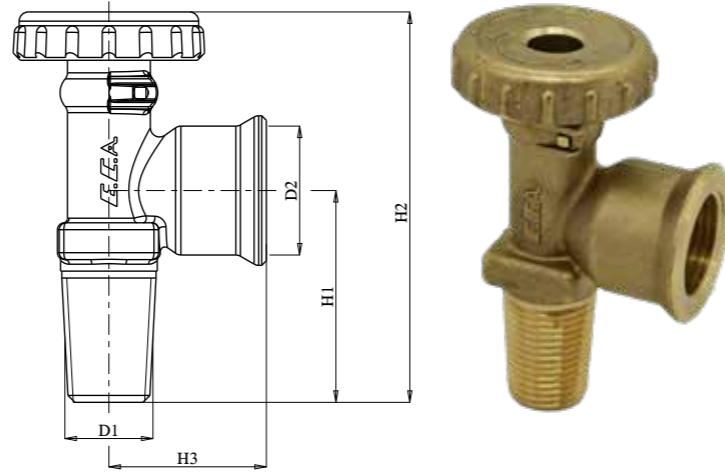


Hand Wheel Type Without Safety (Orbital Pin Design)

Main Code: 703820414

Technical Specifications

Working Pressure: 24 bar	D1	H1
	W19,3x1/14"	46
Temperature Range: -20 ~ 65 °C	D2	H2
	0,885"-14NGO	85
	H3	34

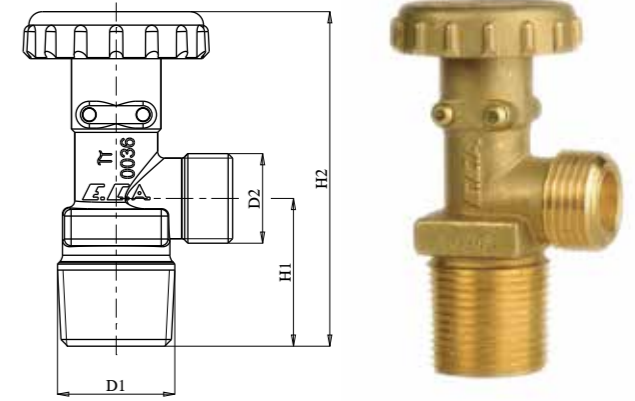


Hand Wheel Type Without Safety (Double Pin Design)

Main Code: 703820089

Technical Specifications

Working Pressure: 18,5 bar	D1	D2
	* M26,2x2	W21,8x1/14" (G4,G12)
Temperature Range: -20~65°C	M24x2	* W20x1/14" (G1)
	W19,8x1/14" (17E)	0,885"-14NGO (G9)
	W28,8x1/14" (25E)	W21,7x1/14" (G2)
	3/4"-14NGT	
	KG19,3x1/14"	
	H1	H2
	* 33	* 75
	40	87
	* 37	* 84,6

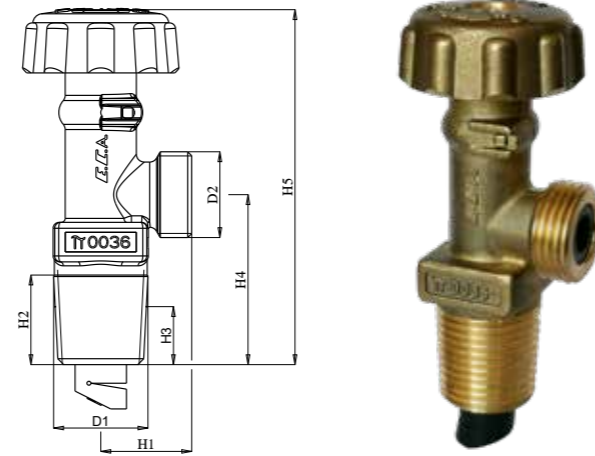


Hand Wheel Type Without Safety (With Flow Limiter) - Orbital Pin Design

Main Code: 703820409

Technical Specifications

Working Pressure: 24 bar	D1	H1
	Ø23,2x2 Conical 1/10	43
Temperature Range: -20 ~ 65 °C	W19,8x1/14"	H2
	KG19,3x1/14"	89,7
	D2	H3
	W21,7x1/14"-LH (G2)	23

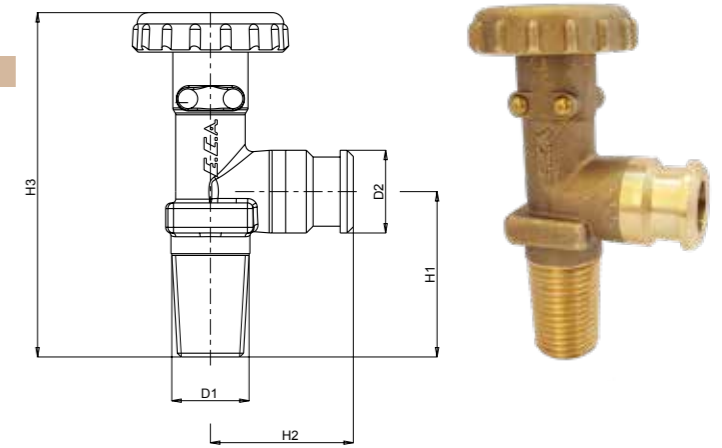


Hand Wheel Type Without Safety (Double Pin Design)

Main Code: 703820334

Technical Specifications

Working Pressure: 24 bar	D1	H2
	W19,3x1/14"	38
Temperature Range: -20~65°C	D2	H3
	Ø 22 (G54)	91,6
	H1	
	44	

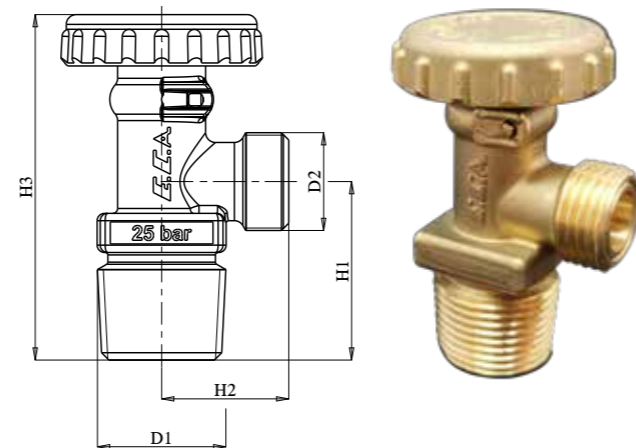


Hand Wheel Type Without Safety (Orbital Pin Design)

Main Code: 703820345

Technical Specifications

Working Pressure: 24 bar	D1	H1
	* M26,2x2	* 35
Temperature Range: -20~65°C	M24x2	36
	1/2" API	
	3/4"-14 NGT	H2
	W28,8x1/14" (25E)	26
	W19,3x1/14"	
	W19,8x1/14" (17E)	H3
	D2	* 71
	W20x1/14"-LH (G1)	72

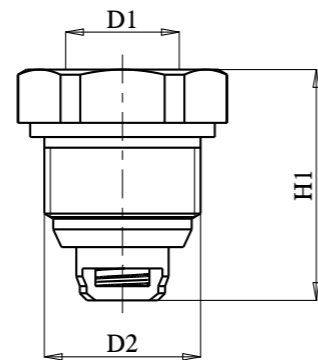


Camping Type Valve With Ball

Main Code: 703820119

Technical Specifications

Working Pressure: 11 bar	D1	D2
	M14x1,25	* M22x1,25
Temperature Range: -20~65°C	* M16x1,5 (G3)	W20x1/14"
	5/8" UNC	H1
	G 3/8"	33

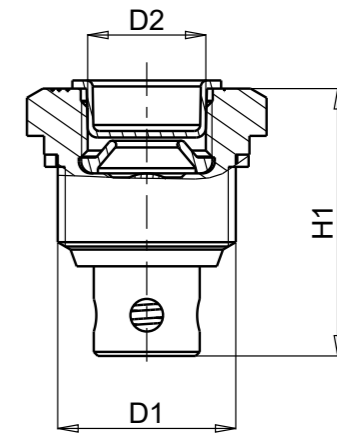


Camping Type Valve With Ball (copper washer, dust protect rubber-flat type)

Main Code: 703820374

Technical Specifications

Working Pressure: 26 bar	D1	H1
	M22x1,25	32,8
Temperature Range: -20~65°C	D2	35,6
	M16x1,5 (G3)	

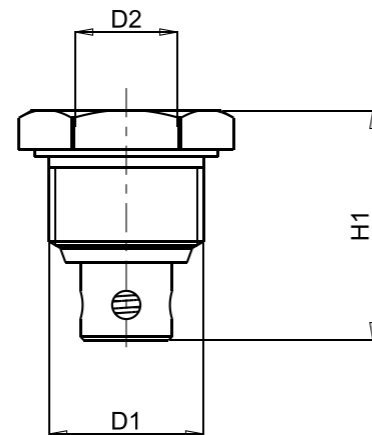


Camping Type Valve With Ball

Main Code: 703820289

Technical Specifications

Working Pressure: 11 bar	D1	H1
	M22x1,25	32,5
Temperature Range: -20~65°C	D2	
	M16x1,5 (G3)	

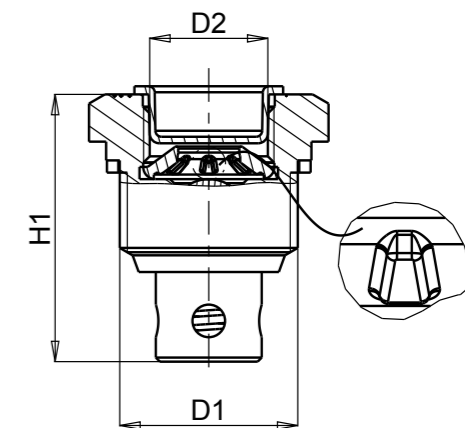


Camping Type Valve With Ball (copper washer, dust protect rubber-Gasket with figured surface)

Main Code: 703820440

Technical Specifications

Working Pressure: 26 bar	D1	H1
	M22x1,25	32,8
Temperature Range: -20~65°C	D2	35,6
	M16x1,5 (G3)	

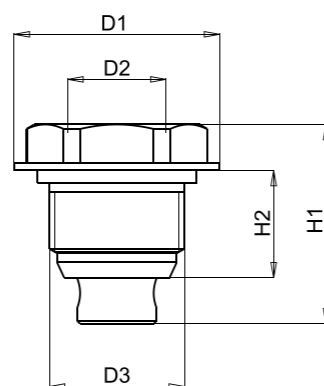


Camping Type Valve With Ball (Flange Design)

Main Code: 703820058

Technical Specifications

Working Pressure: 11 bar	D1	H1
	33,5	32,5
Temperature Range: -20~65°C	D2	H2
	M16x1,5 (G3)	17,5
	D3	
	M22x1,25	

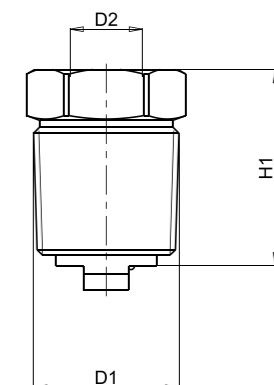


Camping Type Valve With Pin

Main Code: 703820219

Technical Specifications

Working Pressure: 11 bar	D1	H1
	3/4"-14 NGT (ANSI B57-1 1977)	35
Temperature Range: -20~65°C	D2	
	5/8"-11 UNC-2B	

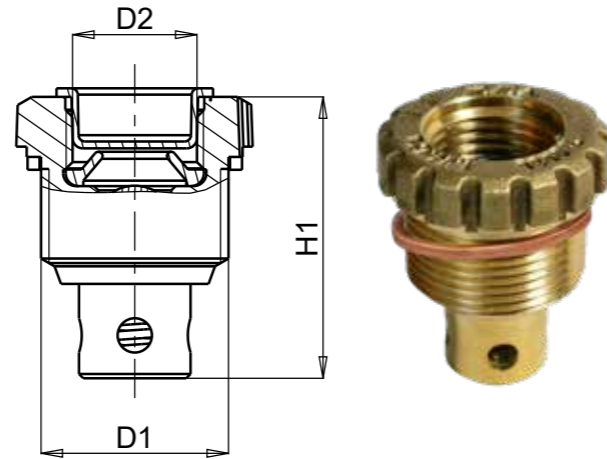


Camping Type Valve With Ball (copper washer, dust protect rubber-flat type)

Main Code: 703820421

Technical Specifications

Working Pressure: 11 bar	D1	H1
	M22X1.25	32,8
Temperature Range: -20~65°C	D2	
	M16X1.5	

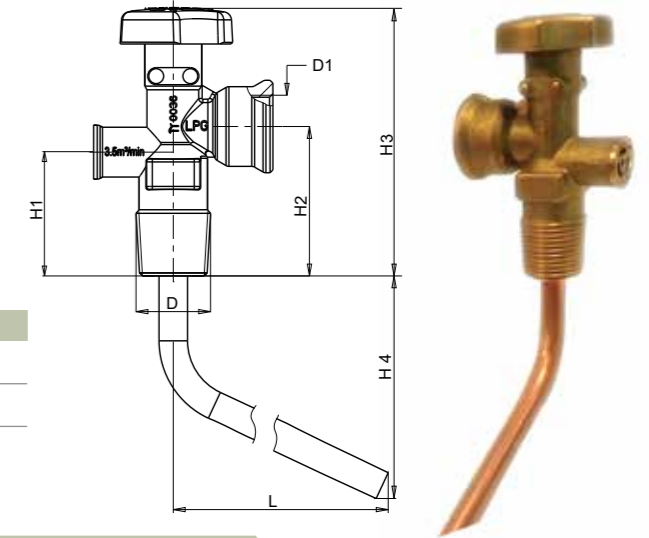


Forklift Valve With Safety (Double Pin Design)

Main Code: 703820094

Technical Specifications

Working Pressure: 24 bar	D1	H1
	* M26,2x2 Conical 1/10 W 28,8x1/14" (25E)	43,5
Temperature Range: -20~65°C	D2	H2
	* 0,885-14NGO Left (G9) W 21,8x1/14" (G4)	* 52,5
		H3
		* 93
		92,2
		90,6

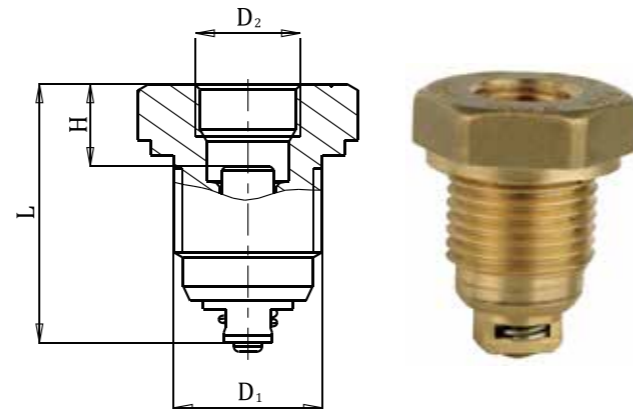


Camping Type Type Valve With Pin

Main Code: 703820112

Technical Specifications

Working Pressure: 11 bar	D1	L
	* W20x1/14"	34,6
Temperature Range: -20~65°C	M22x1,25	AA/SW
	D2	27
	M14x1,25	

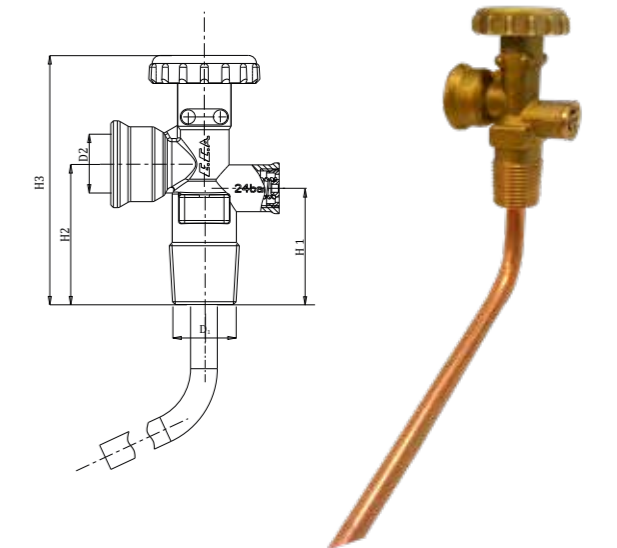


Forklift Valve With Safety (Double Pin Design)

Main Code: 703820206

Technical Specifications

Working Pressure: 24 bar	D1	H1
	W 19,8x1/14" 3/25 Conical (17E)	43,5
Temperature Range: -20~65°C	W 28,8x1/14" (25E)	H2
	*M26,2x2	41
		53
	D1	H3
	Ø 10	84
	D2	96
	0,885"-14 NGO - LH (G9)	92

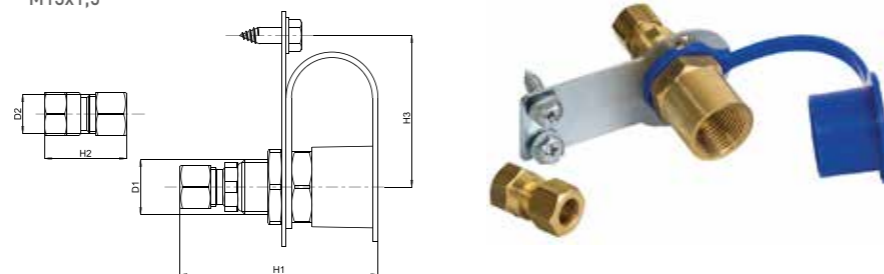


LPG Filling Valve For Auto

Main Code: 703820269

Technical Specifications

Working Pressure: 11 bar	D1	D2
	M20x1	M13x1,5
Temperature Range: -20~65°C	H1	
	72	
	H2	
	30	
	H3	
	55,2	

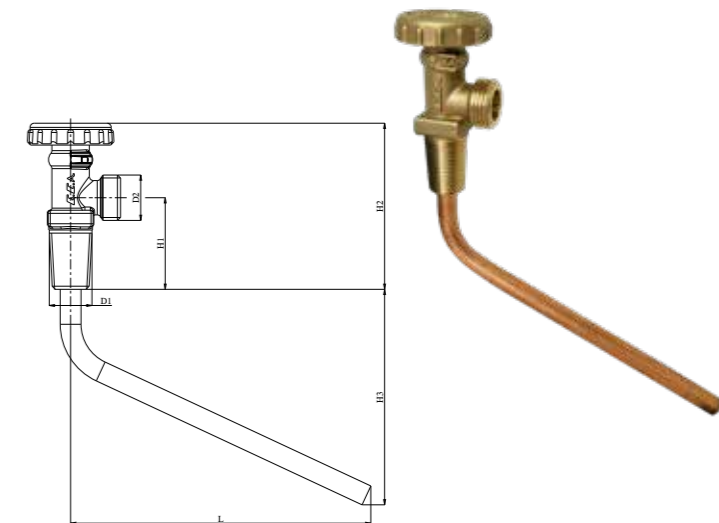


Forklift Valve Without Safety (Orbital Pin Design)

Main Code: 703820407

Technical Specifications

Working Pressure: 24 bar	D1	H1
	W19,3X1/14"-6°	44
Temperature Range: -20~65°C	D1	H2
	W21,8X1/14" (G4, G5, G12, G19)	80
		H3
		103,5
		L
		144



Forklift Valve Without Safety (Double Pin Design)

Main Code: 703820372

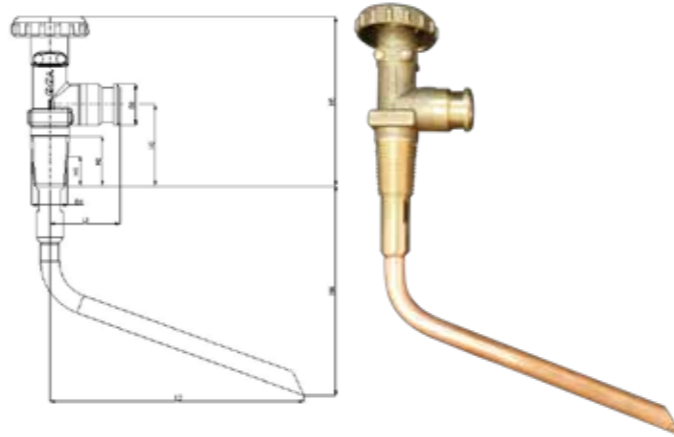
Technical Specifications

Working Pressure:
24 bar

Temperature Range:
-20~65°C



D1	H1
W 19,3x1/14	16
	H2
	27
D2	H3
22 (G54)	44
	H4
	113
L2	H5
137	91,6



Union Hose For Forklift Valve

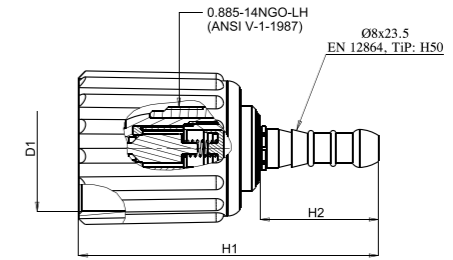
Main Code: 703817020

Technical Specifications

Working Pressure:
24 bar

Temperature Range:
-20~65°C

D1	H2
ø 34	32
H1	
81,1	



Forklift valve without safety

Main Code: 703820057

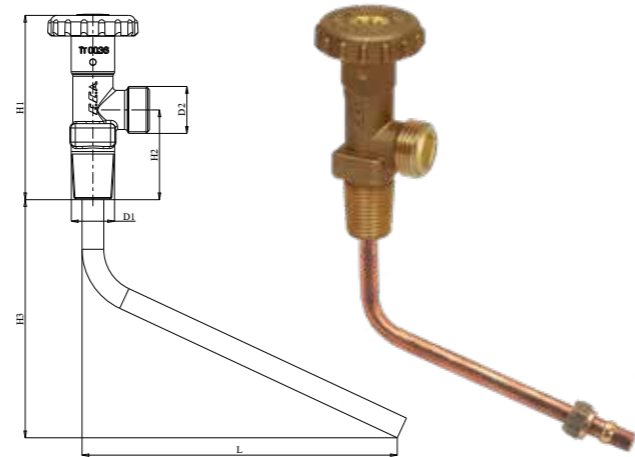
Technical Specifications

Working Pressure:
24 bar

Temperature Range:
-20~65°C



D1	H1
W 19,8 x 1/14" (17E)	85
D2	H2
W 21,8 x 1/14" - LH (G4,G19)	41,3
	H3
	110
L	
145	



LPG Safety Valve

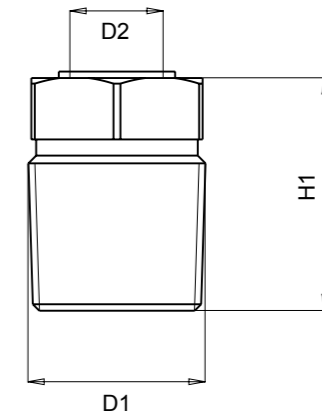
Main Code: 703820342

Technical Specifications

Working Pressure:
26 bar

Temperature Range:
-20~65°C

D1	H2
3/4" - 14NGT	36
D2	
W9/16-1/26"	



Forklift Valve Without Safety (Flow Limiter, Strainer)

Main Code: 703820230

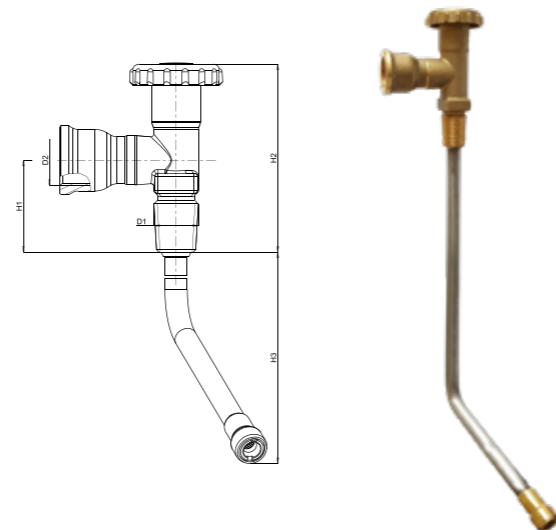
Technical Specifications

Working Pressure:
24 bar

Temperature Range:
-20~65°C



D1	H1
W19,8x1/14" Conical 3/25 (17E)	41
D2	H2
0,885-14N60-LH (G9)	84
	H3
	187



LPG Interval Valve

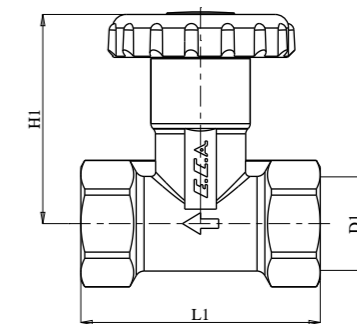
Main Code: 703820030

Technical Specifications

Working Pressure:
30 bar

Temperature Range:
-20~65°C

D1	H1
G1/2	47,2
L1	
53	



Due to constant improvement on products we reserve the right to alter specifications at any time without prior notice.

E.C.A.'s LPG CYLINDER VALVES conform to EN ISO 14245 (Ex. EN 13152), EN ISO 15995 (Ex. EN 13153), EN 13953, EN 15202, SI 637 standards
Product code is given for (*) marked dimensions.

Due to constant improvement on products we reserve the right to alter specifications at any time without prior notice.

E.C.A.'s LPG CYLINDER VALVES conform to EN ISO 14245 (Ex. EN 13152), EN ISO 15995 (Ex. EN 13153), EN 13953, EN 15202, SI 637 standards
Product code is given for (*) marked dimensions.

E.C.A.[®]

Y I L L A R C A B E R A B E R



www.valf.com.tr

www.eca.com.tr

İhracat - Export

ELEKS DIŐ TİCARET A.Ő.

Esentepe Mah. Kasap Sok. No:15/1 34394 ŐiŐli / İstanbul

Phone: +90 (0212) 708 48 50 Fax: +90 (212) 292 80 36

www.eleks.com.tr eleks@eleks.com.tr

Üretici / Yurt İçi Satıő - Producer / Domestic Sales

VALF SANAYİİ A.Ő.

Organize Sanayi Bölgesi, Kurtuluő Cad. No:1

45030 / Manisa / TURKEY

Phone: +90 (236) 233 25 60 Fax: +90 (236) 233 25 63

www.valf.com.tr info@valf.com.tr